



# Guide to selecting compatible refrigerators

Pyxis® SMART Remote Manager and Pyxis Remote Manager

## About this guide

This guide provides the criteria for determining which refrigerators are compatible with the Pyxis SMART Remote Manager or the Pyxis Remote Manager.

For additional information or assistance, call the Technical Support Center at 800.625.6535 (from the United States, Canada and Puerto Rico) or 858.617.2000 (worldwide).



## Introduction and product overview

This guide provides the criteria for determining if a refrigerator is compatible with Pyxis SMART Remote Manager or Pyxis Remote Manager. Pyxis Remote Manager is an automated medication management system for temperature-sensitive medications. It provides controlled point-of-use access, electronically tracks and records transaction data and generates reports necessary for inventory management, billing and regulatory compliance.

Pyxis SMART Remote Manager is similar to Pyxis Remote Manager, but provides additional features. The acronym SMART stands for Secure Monitor Alarm Record Temperature.

Pyxis SMART Remote Manager provides controlled access, monitors internal storage temperatures of refrigerators, provides a warning when temperatures fall outside of user-defined limits, electronically archives transaction and temperature data and generates reports necessary for regulatory compliance, inventory management and billing.

Both Pyxis SMART Remote Manager and Pyxis Remote Manager include an electronic locking latch that can be installed on many commercially available refrigerators.



Due to the variety of refrigerators available, both Pyxis SMART Remote Manager and Pyxis Remote Manager units are supplied in two different configurations:

- Flat-door units: for refrigerators with a flat door surface
- Round-door units: for refrigerators with a curved door surface

In addition to the flat-door and round-door options, Pyxis SMART Remote Managers can also be ordered in two supplemental configurations:

- Left-side units: for refrigerators that open from the left side
- Right-side units: for refrigerators that open from the right side

Unless otherwise noted in the text and figures that follow, the compatibility criteria apply to all Pyxis Remote Manager and Pyxis SMART Remote Manager configurations.

## Selection criteria for compatible refrigerators

Several factors determine whether a refrigerator is compatible with Pyxis SMART Remote Manager or Pyxis Remote Manager.

### Refrigerator type

Due to the design and function of the Pyxis SMART Remote Manager, there are recommended refrigerator types that will help ensure optimal performance.

#### Recommended

**Medical-grade refrigerators:** These refrigerators typically have active cooling systems that allow them to maintain a temperature setpoint and are the best option for use with Pyxis SMART Remote Manager.

**Consumer-grade refrigerators:** Refrigerators for typical home use do not maintain a specific temperature setpoint, however, they can be an acceptable option when cost is a consideration. Larger-sized refrigerators are preferred.

**Freezer-less refrigerators:** Freezer compartments in smaller-sized units are typically ill-equipped to keep medications that should be stored frozen at the proper temperature. These compartments also require periodic defrosting, which may require a hospital-defined process for taking a Pyxis SMART Remote Manager out of service for a period of time.

**Frost-free refrigerators:** Frost free options can help reduce the need for periodic defrosting.



#### Not recommended

**Thermoelectric coolers:** While sometimes marketed as refrigerators, thermoelectric coolers are typically not adequate for use in hospital settings because they rely on a passive cooling system. Using thermoelectric coolers in conjunction with Pyxis SMART Remote Manager will result in excessive temperature warnings and alerts as frequent door openings and closings cause the temperature to repeatedly go outside of the user-defined temperature range.

## Refrigerator door handle location

Pyxis SMART Remote Manager and Pyxis Remote Manager units cannot attach to refrigerators with door handles located in the mounting area. Due to this constraint, Pyxis SMART Remote Manager and Pyxis Remote Manager units are typically not compatible with refrigerators with door handles. To determine whether a refrigerator with a door handle is compatible with Pyxis SMART Remote Manager and Pyxis Remote Manager, refer to Figure 1 for details and dimensions.

Since the hasp dimensions are identical for all unit configurations, the mounting area requirements are also identical.

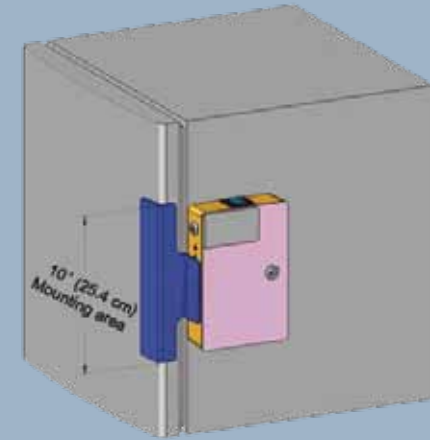


Figure 1. Mounting area requirements

Some Follett brand refrigerators with door handles are compatible with Pyxis SMART Remote Manager and Pyxis Remote Manager. However, a special part must be purchased directly from Follett. Contact Follett ([www.follettice.com](http://www.follettice.com)) for details.



## Refrigerator material

Pyxis SMART Remote Manager and Pyxis Remote Manager both attach to a refrigerator by a special adhesive. Because of the properties of this adhesive, Pyxis SMART Remote Manager and Pyxis Remote Manager are appropriate for use only with refrigerators made of the following materials:

Glass

Paint: Polane, powder

Metal: Stainless steel, galvanized steel, aluminum

Plastic: Polycarbonate, acrylic, PVC, ABS, noryl, polystyrene

Pyxis SMART Remote Manager and Pyxis Remote Manager are not appropriate for use with refrigerators made of plasticized vinyl.

## Additional clearance required for Pyxis SMART Remote Manager and Pyxis Remote Manager

Pyxis SMART Remote Manager and Pyxis Remote Manager require additional clearance when they are installed on a refrigerator. See Figure 2 for clearance area requirements.

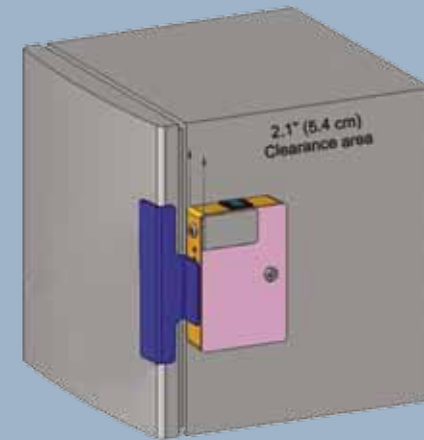


Figure 2. Clearance area requirements

## Distance from the refrigerator door to the refrigerator cabinet

Figures 3 and 4 show top views of the gap between the outside face of the refrigerator door and the refrigerator cabinet. In order for Pyxis SMART Remote Manager or Pyxis Remote Manager to function properly, the maximum distance between these two surfaces must not exceed the following dimensions:

- 1.9" (4.8 cm) for refrigerators with flat-door surfaces (see Figure 3)
- 2.0" (5.1 cm) for refrigerators with round-door surfaces (see Figure 4)

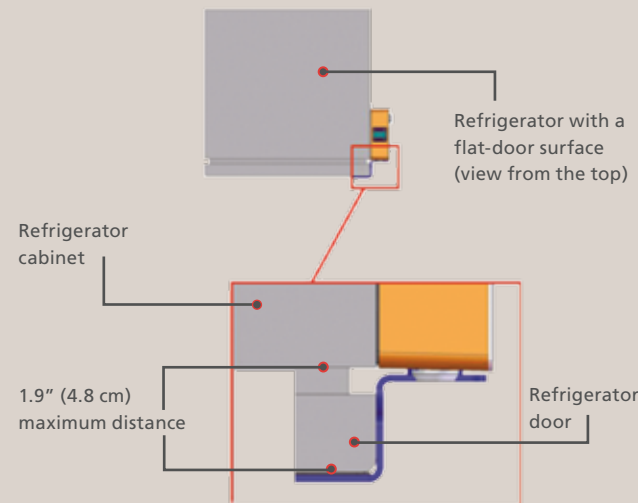


Figure 3. Distance from the refrigerator door to the refrigerator cabinet, flat-door surface

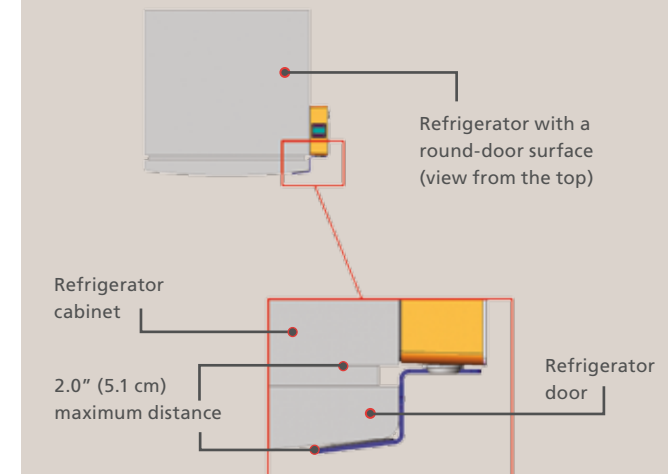


Figure 4. Distance from the refrigerator door to the refrigerator cabinet, round-door surface

## Pyxis SMART Remote Manager and Pyxis Remote Manager guide to selecting compatible refrigerators

Changes in equipment, software or procedures occur periodically; information describing these changes will be included in future editions of the manual. The information in this document is subject to change and does not represent a commitment on the part of CareFusion to provide additional services or enhancements.

**Information to user caution:** Any changes or modifications not expressly approved by the party responsible for compliance could void the user's authority to operate the equipment.

### **FCC Notice**

This device complies with Part 18 of the FCC rules.

### **Canadian Notice (Avis Canadien)**

This ISM device complies with Canadian ICES-001.

Cet appareil ISM est conforme à la norme NMB-001 du Canada.

CareFusion  
San Diego, CA

[carefusion.com](http://carefusion.com)

© 2010 CareFusion Corporation or one of its subsidiaries. All rights reserved. Pyxis is a trademark or registered trademark of CareFusion Corporation or one of its subsidiaries. All other trademarks are property of their respective owners. DI0023-01 (0910/PDF)

